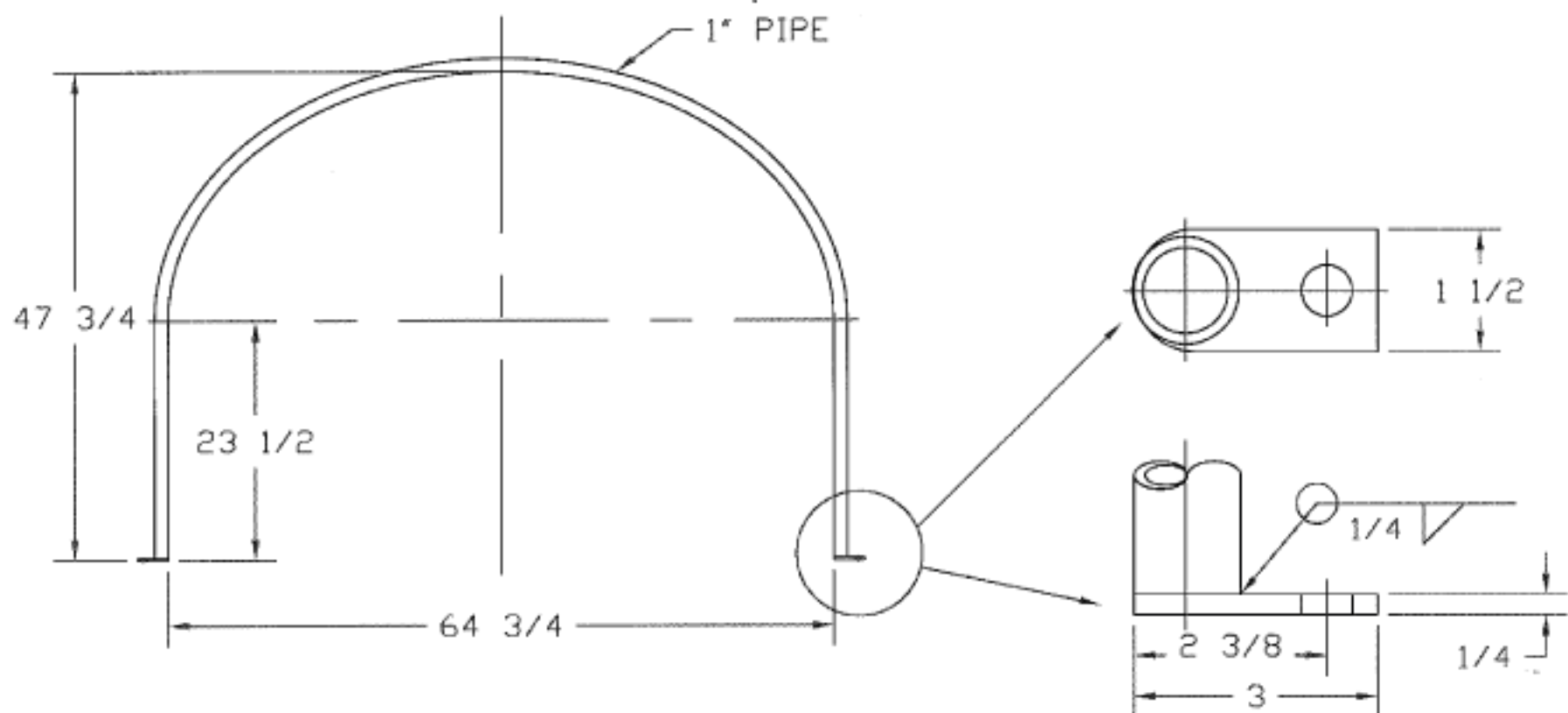



REVISIONS				
ZONE	REV	DESCRIPTION	DATE	APPROVED
	B	REDRAWN	25JUN97	



HOT-DIPPED
GALVANIZED
FINISH

JTP 27JUN97



PEABODY
engineering

BAND, 1235 ELLIPTICAL
LEG TANK

SIZE A	FSCM NO.	DWG NO.	REV B
SCALE 1/16		SHEET	